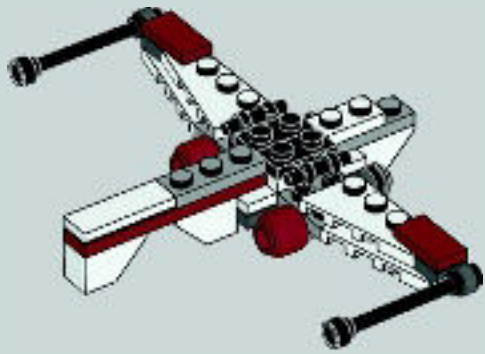
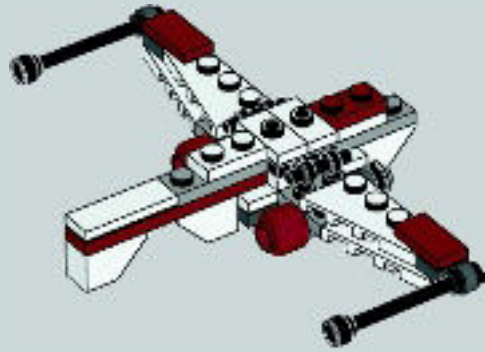


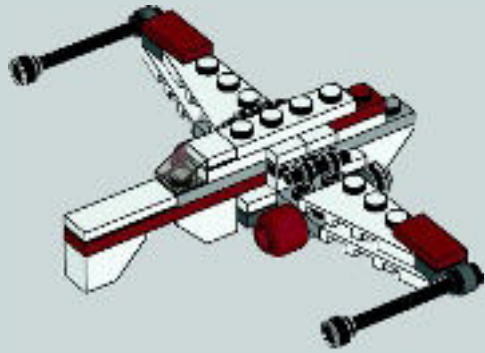
12



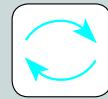
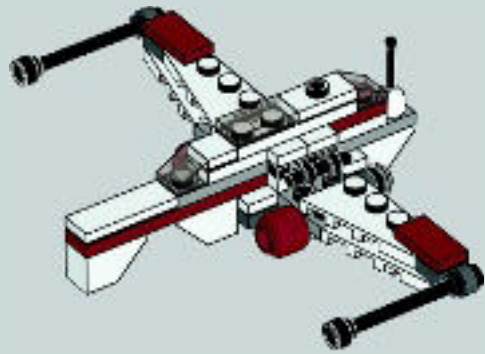
13



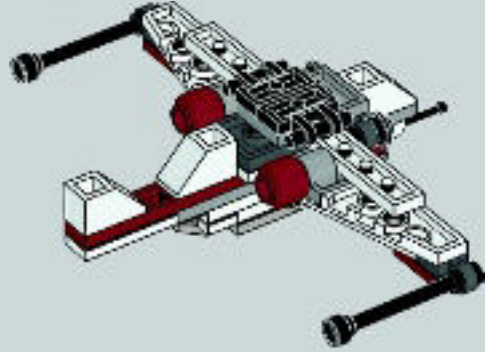
14



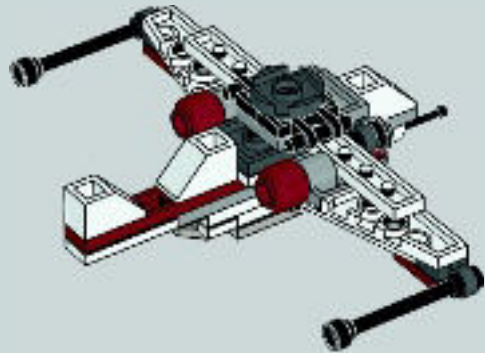
15



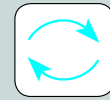
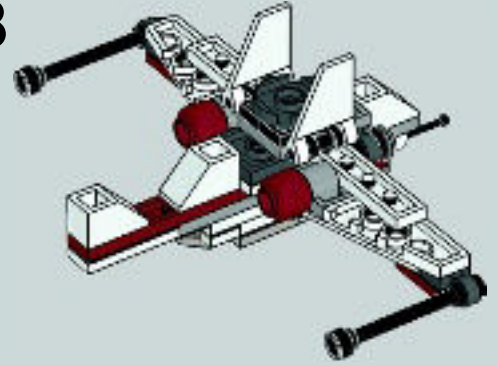
16



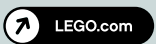
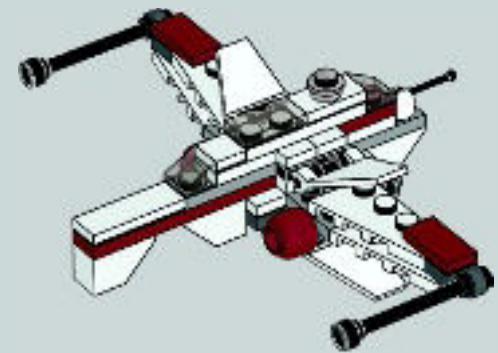
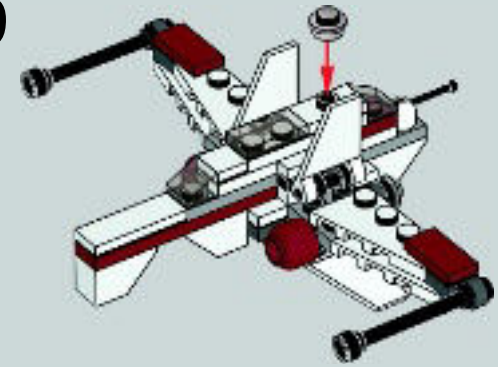
17



18



19



LEGO.com/club LEGO.com/service

LEGO and the LEGO logo are trademarks of the LEGO Group. ©2014 The LEGO Group.
© 2014 Lucasfilm Ltd. & TM. All rights reserved. 6073830